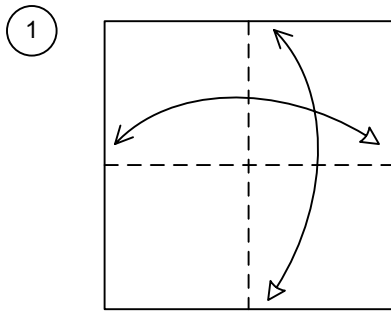


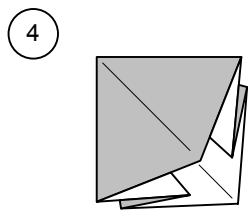
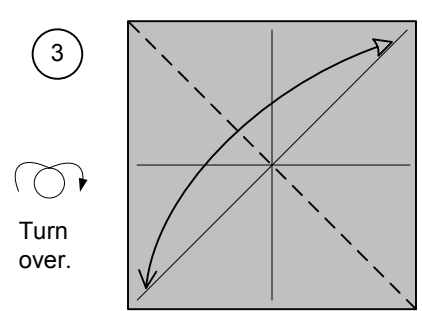
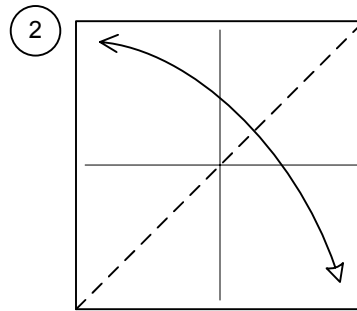
# Snake Dragon

Created: June 2006

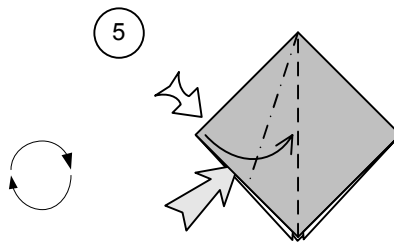
Designed by: Marc Vigo Anglada  
 Diagrammed by: Márcio Noguchi



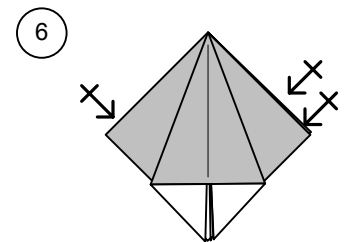
Begin color side down.  
 Steps 1-4 are pre-creases for  
 the preliminary base.



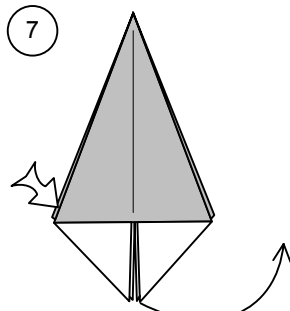
Collapse using existing  
 creases, for the  
 preliminary base.



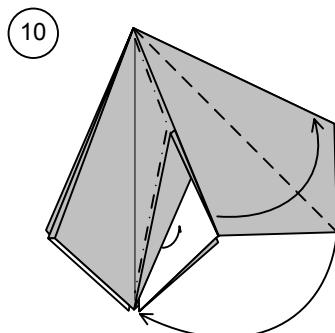
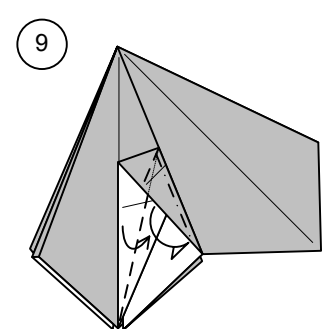
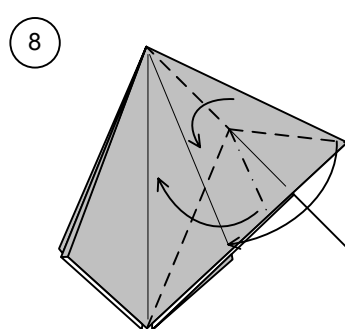
Squash fold.



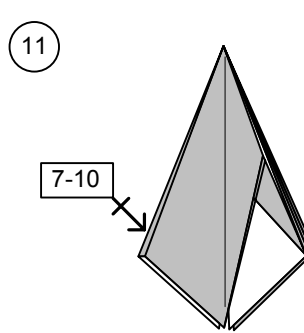
Repeat squash fold for the  
 remaining 3 flaps.



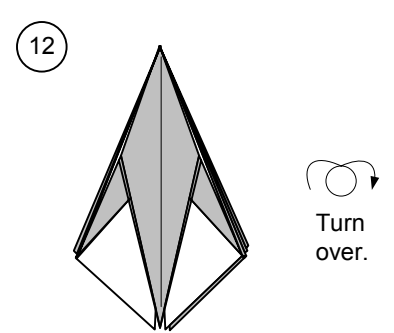
Squash fold top left flap, while  
 bringing the top right flap  
 slightly upward.



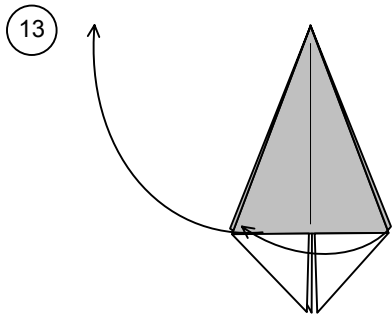
Collapse. Bring the top right  
 flap to the original position (of  
 step 7).



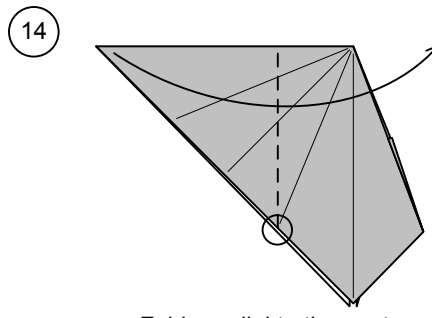
Repeat steps 7 to 10 on the left  
 side.



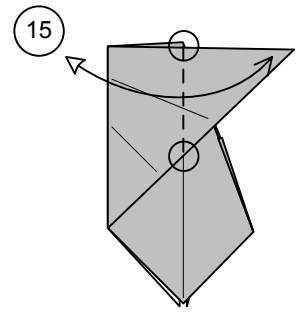
Turn  
 over.



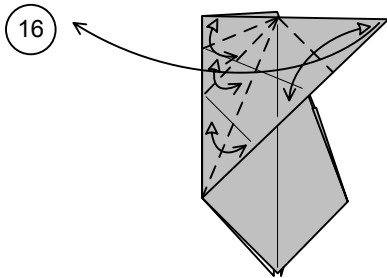
13 Unfold the top layer.



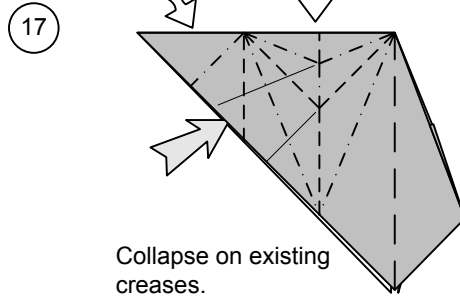
14 Fold parallel to the center line, along the folded edge. Start where the crease ends on raw edge.



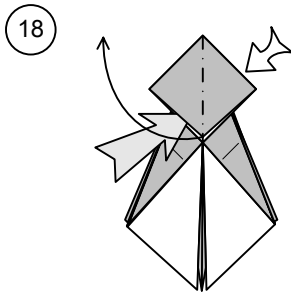
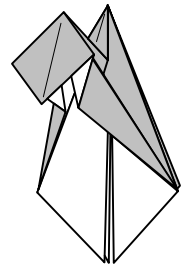
15 Fold and unfold to create crease along the center line.



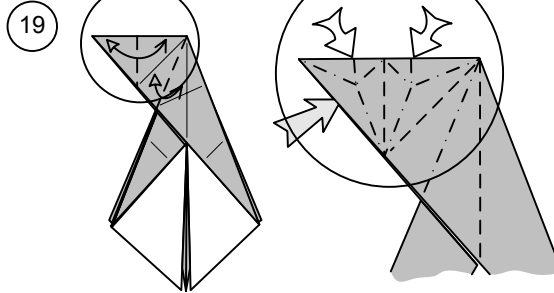
16 Pre-crease all layers. Open flap to original position (step 14)



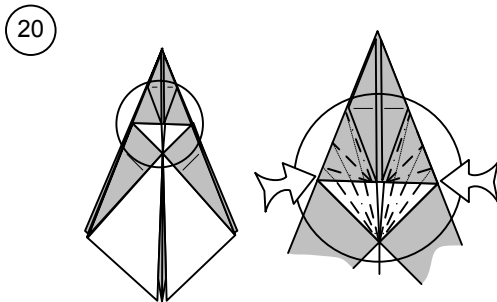
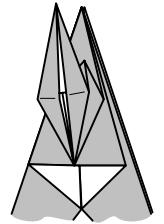
17 Collapse on existing creases.



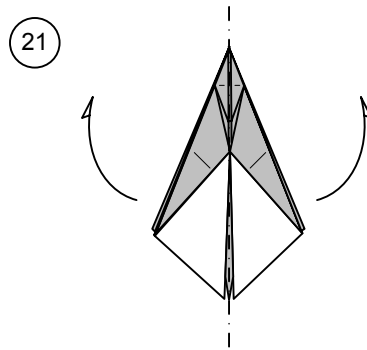
18 Squash fold.



19 Pre-crease, and collapse.



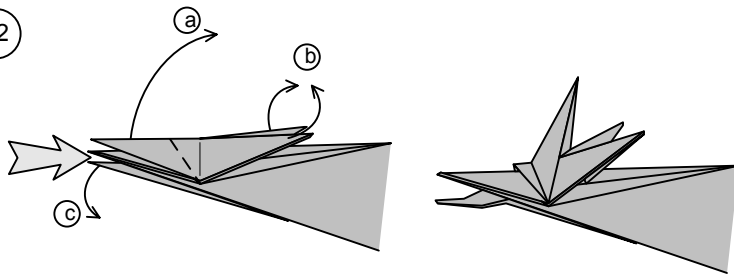
20 Inside reverse fold.



21 Fold in half, along the center line.

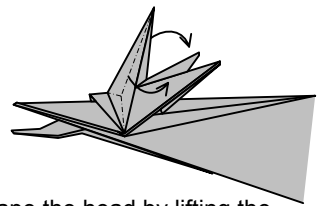


22



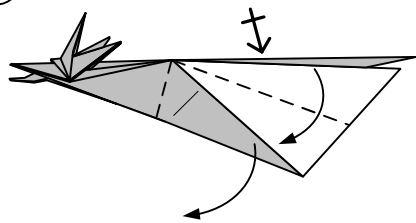
Shape the head by lifting the front horn (outside reverse fold) and back horns, and opening the mouth.

23



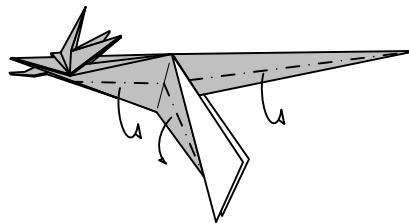
Shape the head by lifting the front horn (outside reverse fold) and back horns, and opening the mouth.

24



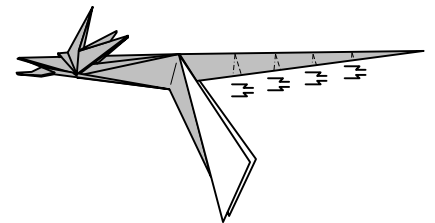
Shape the wings by "thinning" folding it into half, and opening slightly. Repeat with wing on the other wing.

25



Thin the body and tail while thinning also (the dark part of) the wings.

26



Crimp in several segments to shape the tail .

