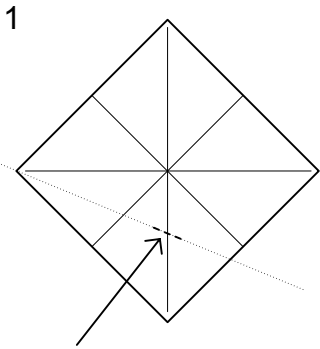
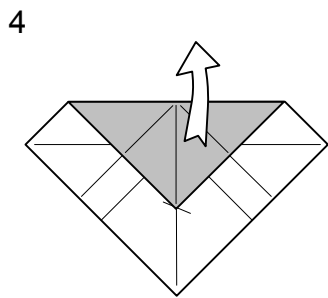
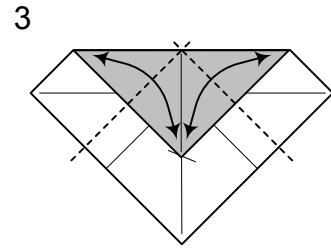
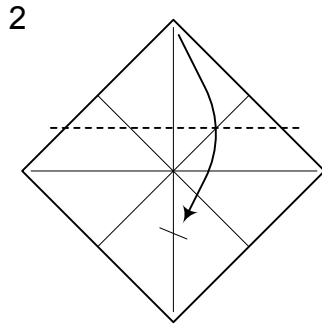


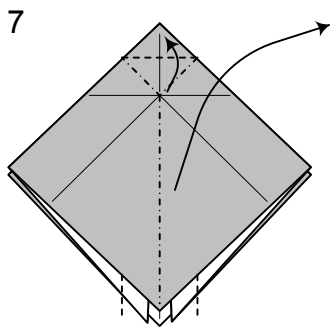
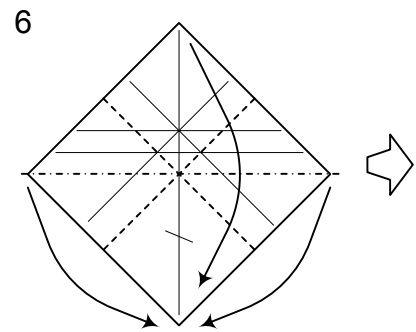
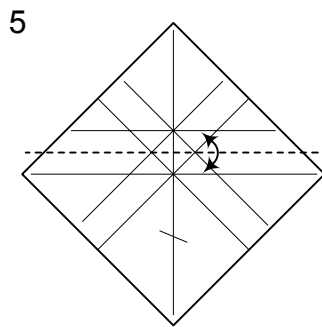
# Fozzie Bear



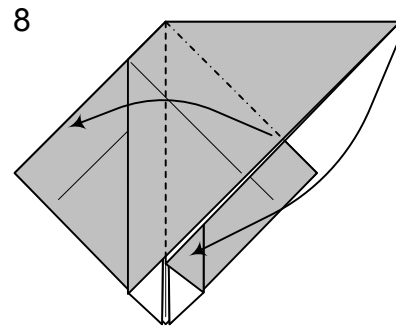
Crease here only.



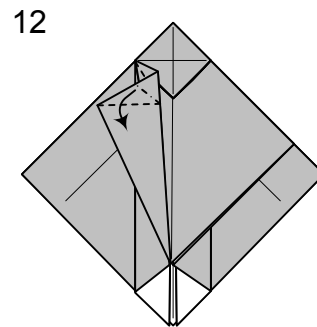
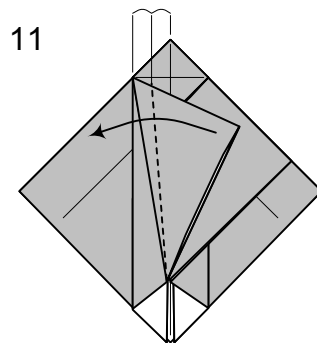
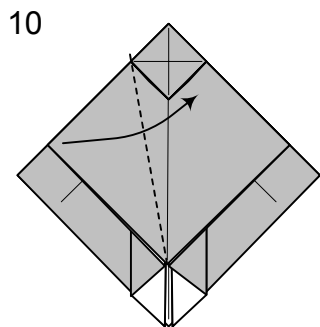
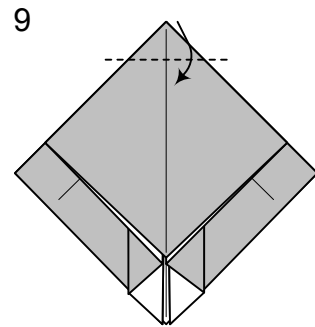
Unfold.



Fold on existing creases.



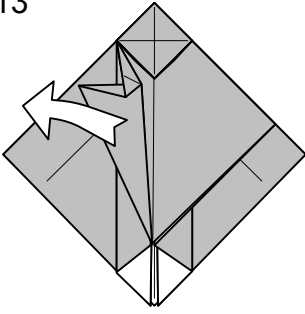
Squash fold.



Swivel fold.

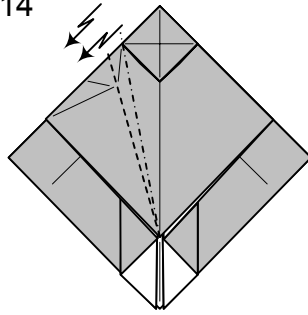
# Fozzie Bear

13



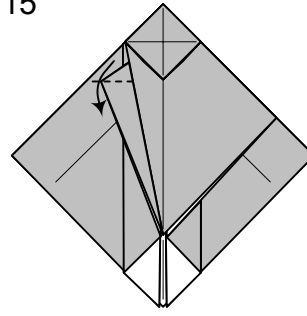
Unfold back to step 10.

14



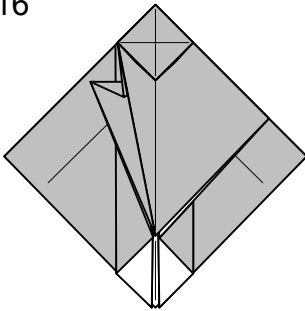
Double reverse folds, using existing creases.

15



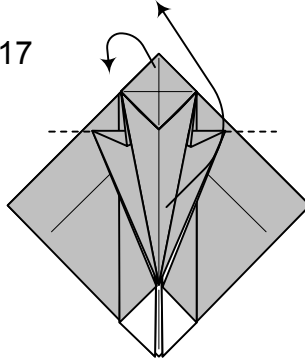
Use the creases in step 11 to fold the edge down.

16



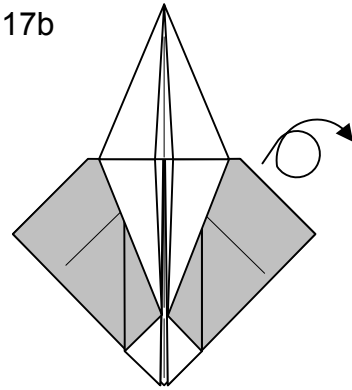
Repeat steps 10-15 on the other side.

17



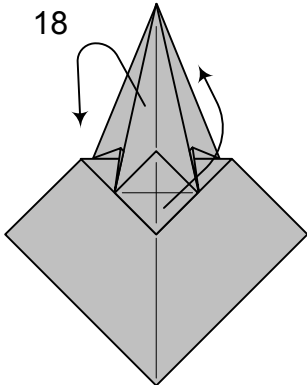
Swing the tall point up as far as it will go.

17b



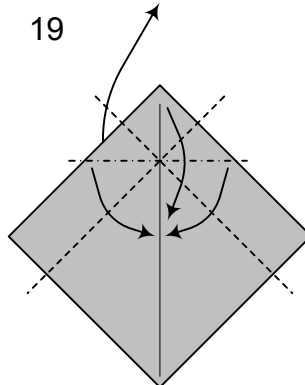
Turn over.

18



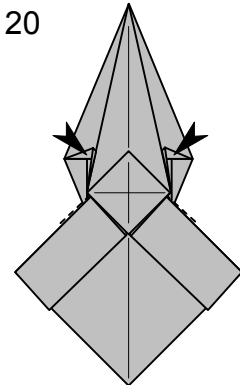
Swing the point behind.

19



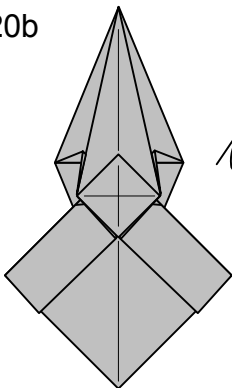
Swing the point back again, incorporating a preliminary fold.

20



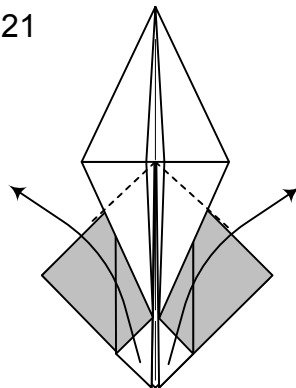
Inside reverse fold the inner layers

20b

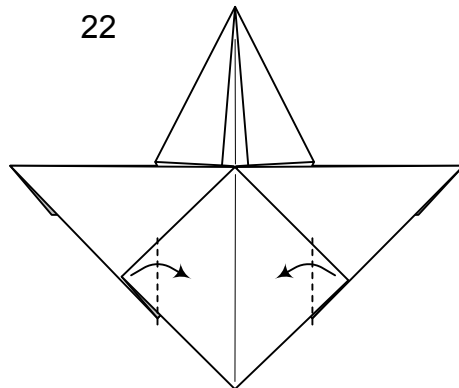


Turn over.

21

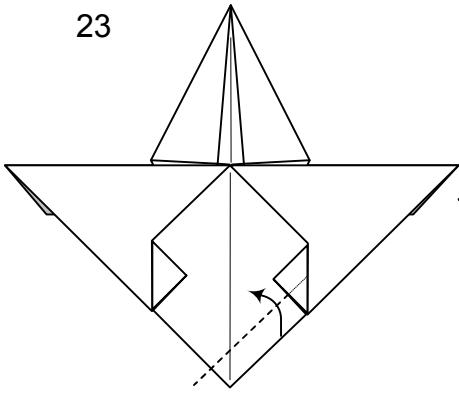


22

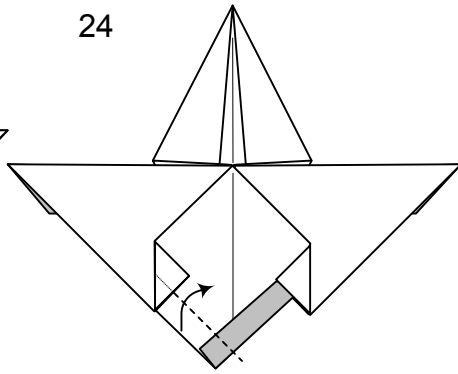


# Fozzie Bear

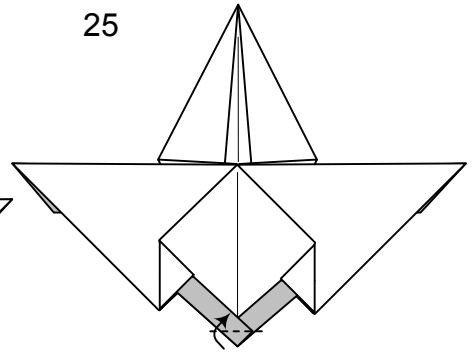
23



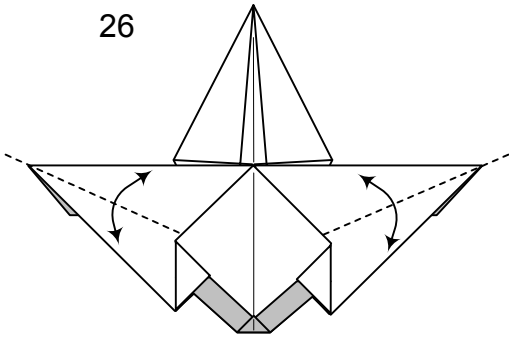
24



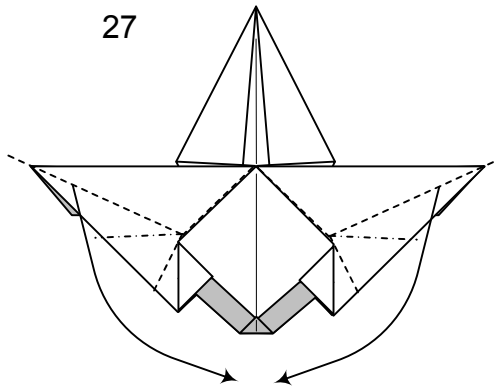
25



26

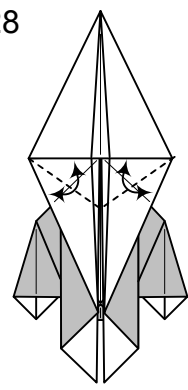


27



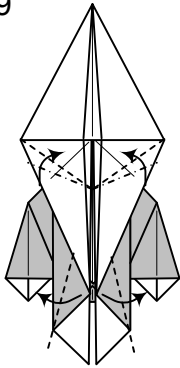
Rabbit ears.

28



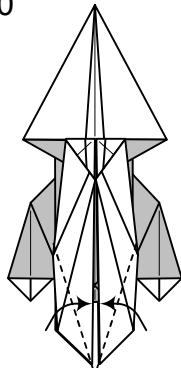
Crease the top layers only.

29

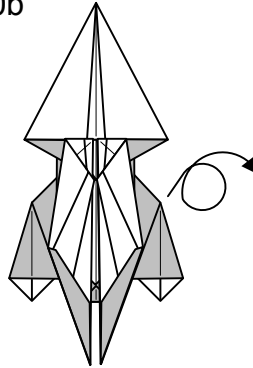


Swivel folds.

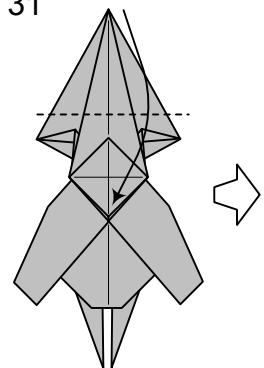
30



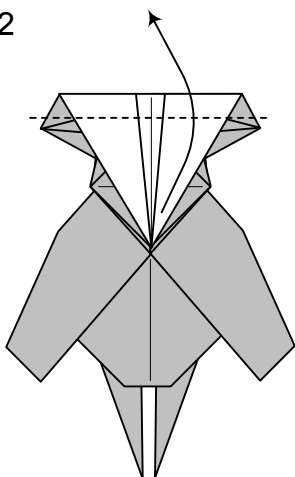
30b



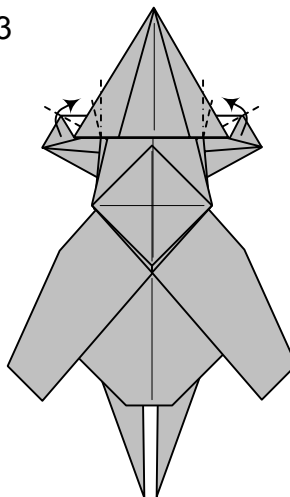
31



32

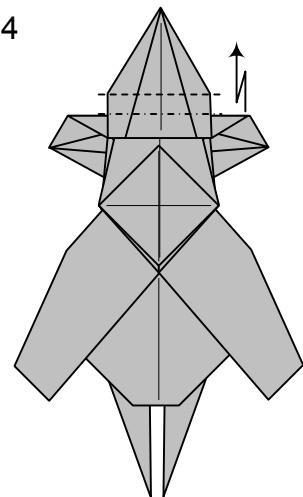


33

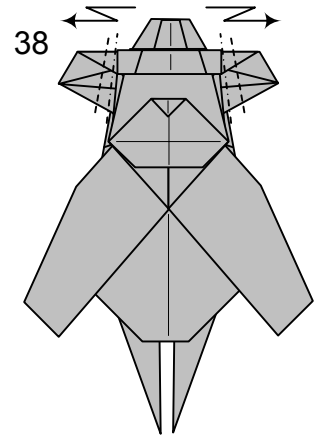
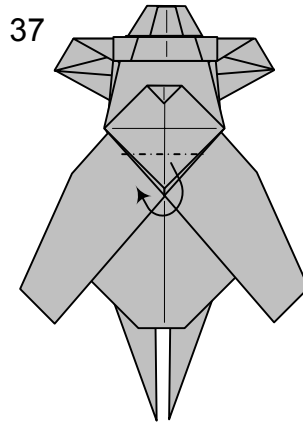
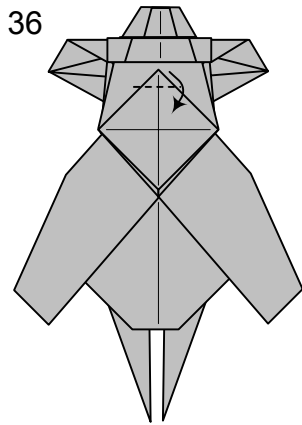
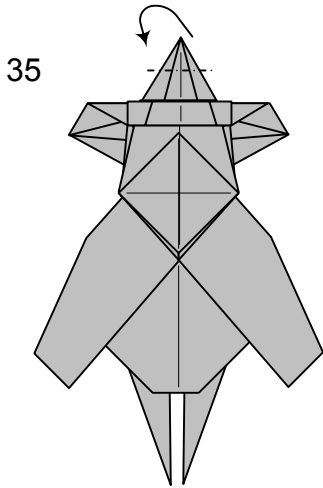


Swivel folds.

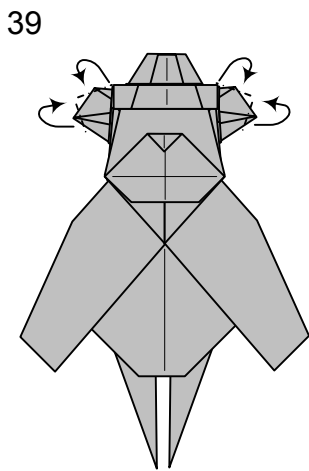
34



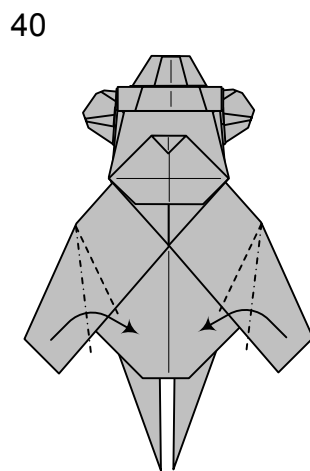
# Fozzie Bear



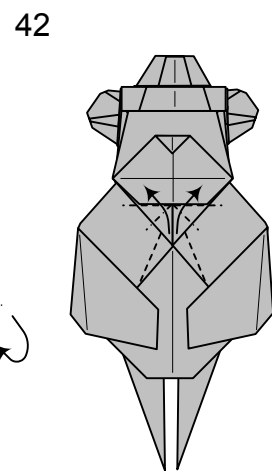
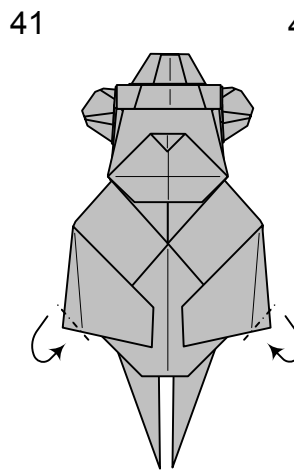
Tuck inside.



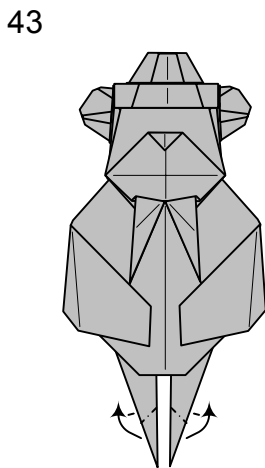
Round the ears



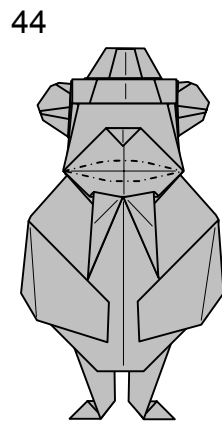
Squash folds to form the arms.



Swivel folds to form Fozzie's neck-tie.



Squash fold the feet.



Used curved mountain creases to shape Fozzie's mouth.

